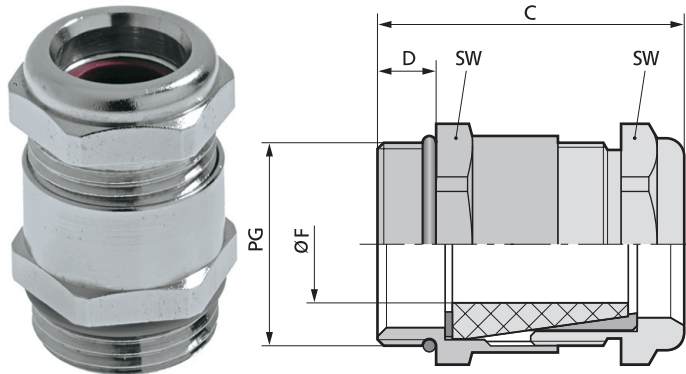


SKINDICHT® SHV VITON®



SKINDICHT® SHV VITON®

■ **Benefits**

- For high temperatures
- Resistant against oils, solvents, acids and chemicals
- Water pressure-tight
- High strain relief
- Robust

■ **Application range**

- Water pressure-tight, high temperature resistant cable gland with special conical VITON® sealing element.
- Brickyard
- Sewage treatment plants
- Car wash site

■ **Approvals (Norm references)**



■ **Design**

- 1 fitting
- 2 washers
- 3 Viton® sealing cone
- 4 brass cone
- 5 compression screw

■ **Note**

- Counter nut to be used SKINDICHT® SM

■ **Technical data**

- Caution**
Installation dimensions see Appendix T21
- Material**
Body: Nickel plated brass
Cone seal: FKM
O-ring: FKM
- Degree of protection**
IP 68 - 10 bar
- Range of temperature**
-15 °C up to +200 °C

Part number	Part designation / size	Clamping range ØF mm	SW mm	Overall length C mm	Thread length D mm	Pieces / PU
SKINDICHT® SHV VITON®						
52024934	SHV-V 7/7/5	3,8 - 4,8	14	26,0	5,0	50
54000015	SHV-V 9/9/6	4,8 - 5,8	17	28,5	6,0	50
52024935	SHV-V 9/9/7	5,8 - 6,8	17	28,5	6,0	50
52024936	SHV-V 11/11/7	5,8 - 6,8	20	31,0	6,0	25
52024937	SHV-V 11/11/9	6,8 - 8,8	20	31,0	6,0	25
52024970	SHV-V 13,5/9/11	8,5 - 10,8	22	33,0	6,5	25
52024968	SHV-V 13,5/11/9	6,8 - 8,8	22	33,0	6,5	25
52024969	SHV-V 13,5/11/11	8,5 - 10,8	22	33,0	6,5	25
52024961	SHV-V 13,5/13,5/9	6,8 - 8,8	22	33,0	6,5	25
52024962	SHV-V 13,5/13,5/11	8,5 - 10,8	22	33,0	6,5	25
52024971	SHV-V 16/11/13	10,8 - 12,8	24	35,0	6,5	25
52024973	SHV-V 16/13,5/13	10,8 - 12,8	24	35,0	6,5	25
52024964	SHV-V 16/16/13	10,8 - 12,8	24	35,0	6,5	25
52024965	SHV-V 16/16/15	13,8 - 14,8	24	35,0	6,5	25
52024966	SHV-V 21/21/18	15,8 - 17,8	30	38,0	7,0	25
52024967	SHV-V 21/21/20	17,5 - 19,8	30	38,0	7,0	25
52024974	SHV-V 29/29/22	19,5 - 21,8	40	44,5	8,0	10

Viton® is a registered trademark of DuPont de Nemours